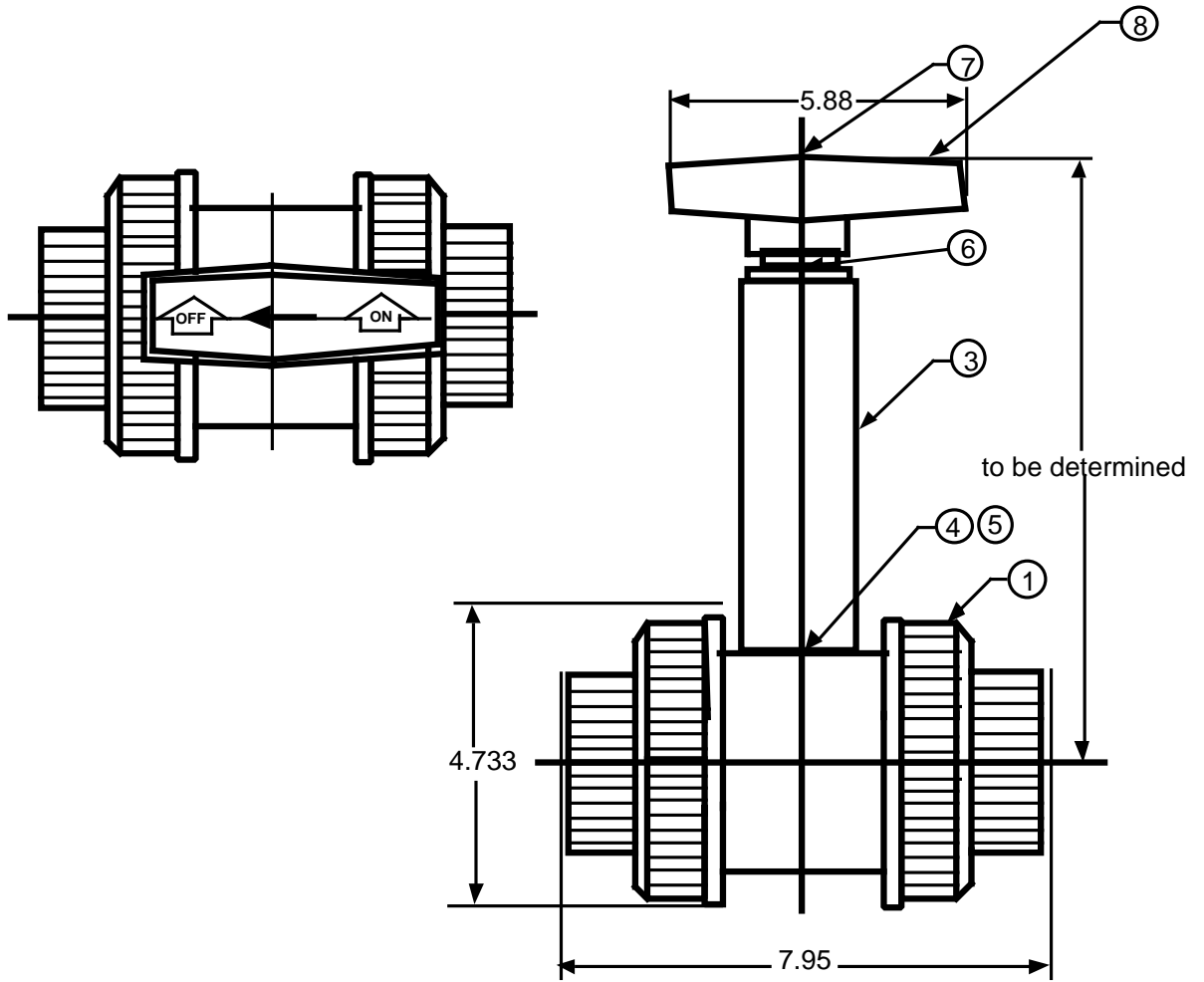


**TVI** THERMOPLASTIC VALVES INC.  
ARRANGEMENT DRAWING

**TYPICAL BALL VALVE W/ STEM EXTENSION**

DWN BY CKP	DATE 1-96	DWG NO. 106-TUSBVAO
---------------	--------------	------------------------

**CERTIFIED  
CORRECT FOR GENERAL DIMENSIONS**  
Date \_\_\_\_\_ Per: \_\_\_\_\_



**Materials of Construction**

Item	Parts	Pcs	Materials	Item	Parts	Pcs	Materials
1	Valve	1	PVC / EPDM	6	Bushing	1	EPDM, VITON®
2	Housing	1	PVC	7	FLT SCR	1	PVC
3	Extension	1	18-8 SS	8	Handle	1	ABS
4	Coupling	1	18-8 SS				
5	Pin	2	18-8 SS				