



THERMOPLASTIC
VALVES INC.

**TYPICAL BUTTERFLY VALVE W/
EXTENSION STEM**

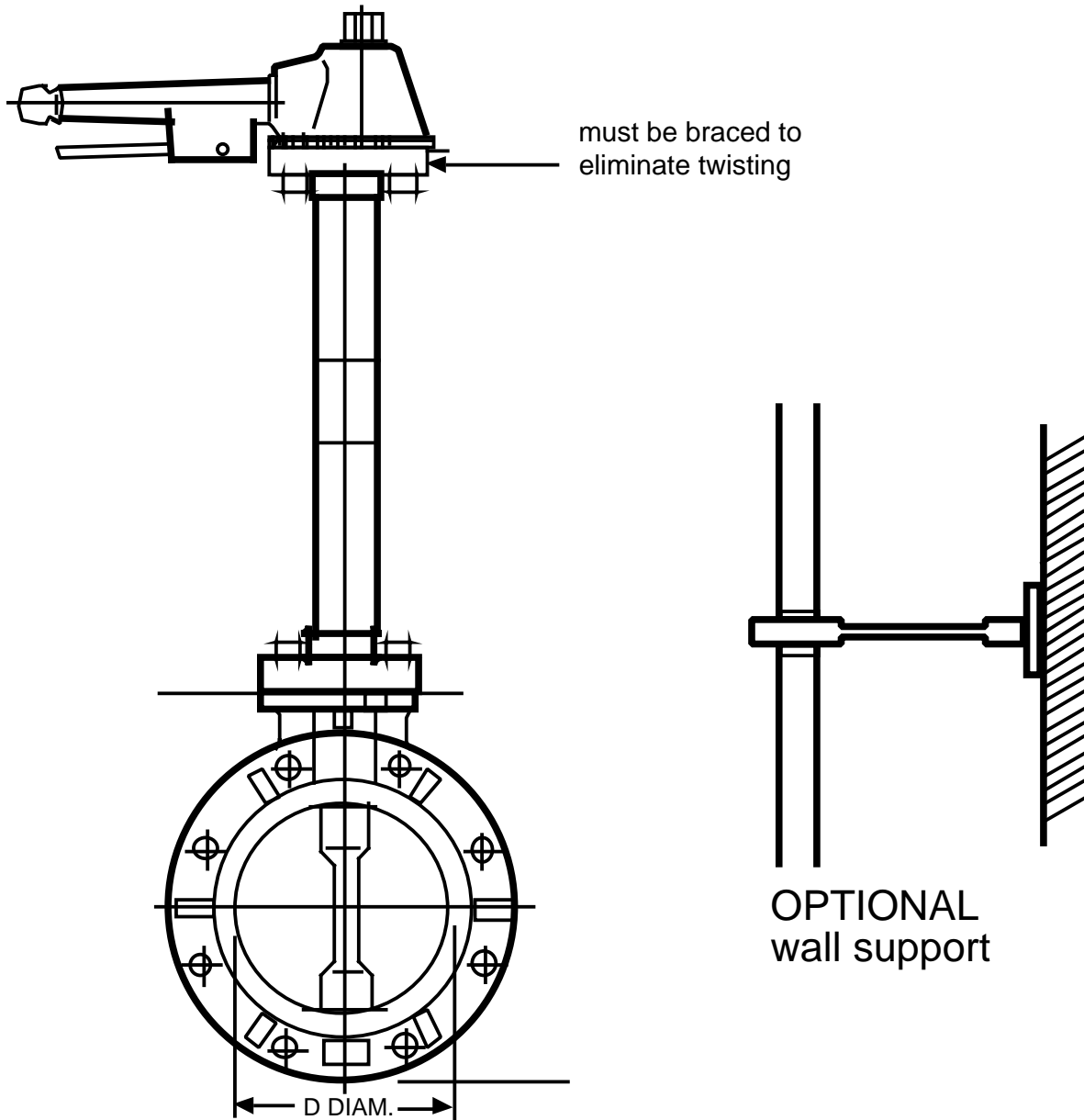
DWN BY
CKP

DATE
1-96

DWG NO.
110 BFAO

**CERTIFIED
CORRECT FOR GENERAL DIMENSIONS**

Date _____ Per: _____



standard-two piece stem