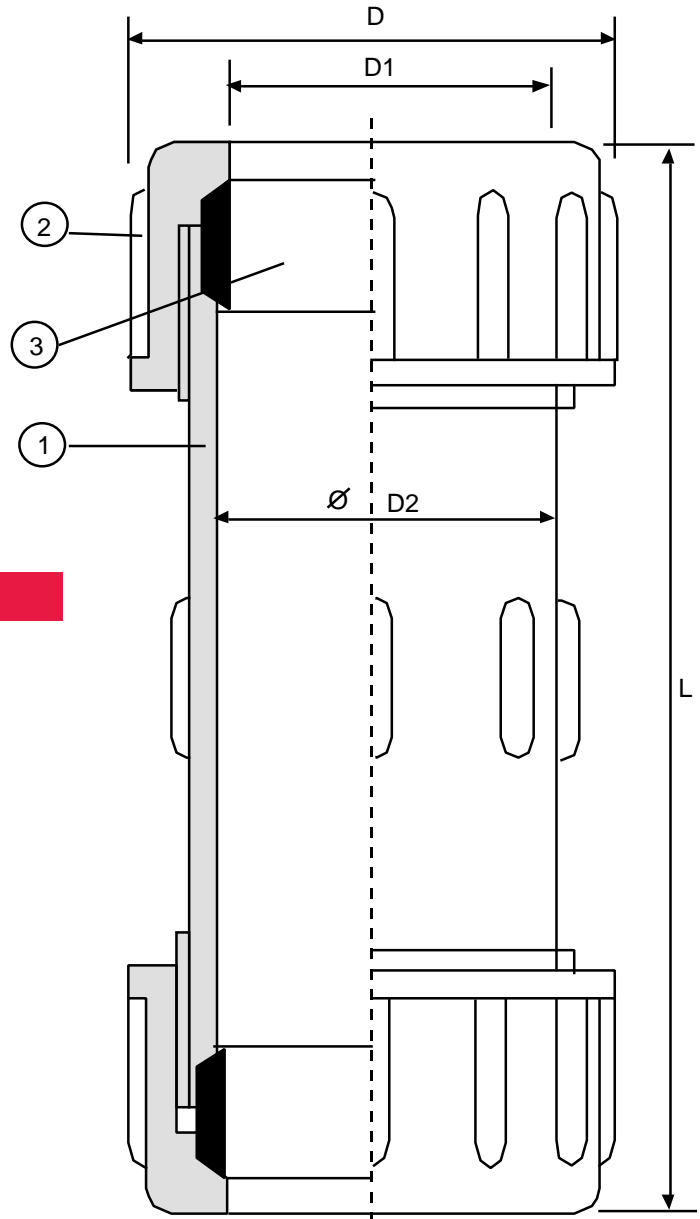


TVI THERMOPLASTIC VALVES INC.
ARRANGEMENT DRAWING
COMPRESSION COUPLING

SIZE: 1/2" - 4"

DWN BY CKP	DATE 11-00	DWG NO. 106-BC
----------------------	----------------------	--------------------------



Materials of Construction

Item	Parts	Pcs	Materials
1	Body	1	PVC, (white)
2	Union Nut	2	PVC, (white)
3	Seal	1	Neoprene, EPDM

Ansi Dimensions

SIZES	1/2"	3/4"	1"	1 1/4"	1 1/2"	2"	2 1/2"	3"	4"
D	1.717	1.929	2.244	2.634	2.882	3.488	4.528	5.118	6.319
D1	.827	1.042	1.307	1.654	1.890	2.366	2.866	3.492	4.492
D2	.878	1.075	1.350	1.693	1.937	2.512	3.012	3.591	4.567
L	4.764	5.039	5.236	5.945	6.614	6.890	9.921	10.906	12.205