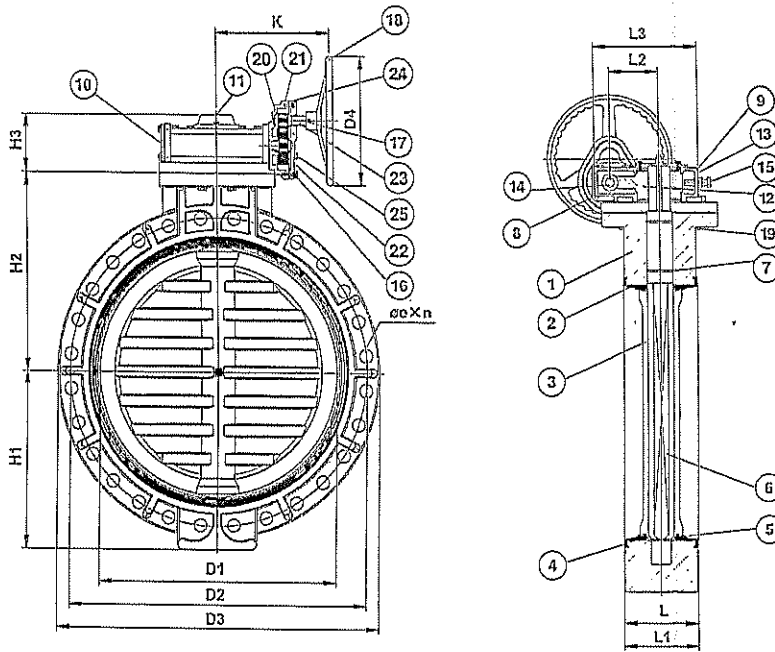
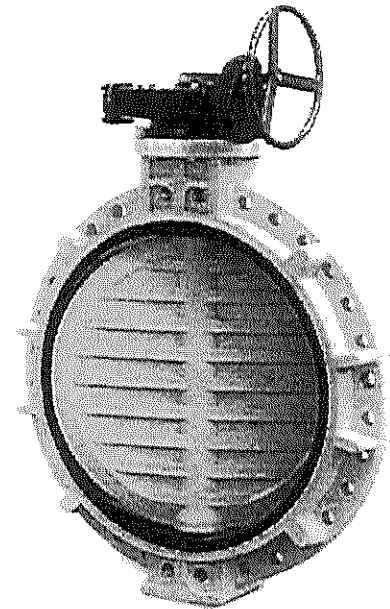




**THERMOPLASTIC
VALVES INC.
ARRANGEMENT DRAWING**

SIZE: 28" THRU 48"

| | | |
|--|---------------|--------------------|
| DWN BY CKP | DATE: 11-2009 | DWG NO. 109-PSV |
| CERTIFIED CORRECT FOR GENERAL DIMENSIONS | | |
| DATE: | PER: | |



DIMENSIONS TABLE

| Nom. size Df (inch) | ANSI | | | | | | | | | | | | | Unit: Inch | |
|------------------------|-------|-------|-------|----|------|-------|-------|------|-------|----|-------|-------|---------------------|------------------------|--|
| | D1 | D2 | D3 | n | ø | H1 | H2 | H3 | K | D4 | L | L1 | Test Press (PSI) | Working Press (PSI) | |
| 700(28") | 26.77 | 33.99 | 30.54 | 24 | 1.37 | 19.65 | 22.17 | 4.90 | 12.04 | 16 | 7.87 | 8.11 | 100 | 75 | |
| 800(32") | 30.70 | 38.50 | 41.73 | 24 | 1.61 | 22.24 | 24.80 | 5.99 | 14.58 | 16 | 9.21 | 9.60 | 100 | 75 | |
| 900(36") | 34.25 | 42.75 | 46.38 | 32 | 1.62 | 24.97 | 27.32 | 5.99 | 14.58 | 16 | 9.21 | 9.04 | 100 | 75 | |
| 1000(40") | 38.18 | 46.25 | 50.63 | 32 | 1.62 | 26.93 | 30.00 | 8.27 | 18.54 | 20 | 11.57 | 11.85 | 100 | 75 | |
| 1100(44") | 42.12 | 51.75 | 55.25 | 40 | 1.62 | 28.03 | 32.48 | 8.27 | 18.54 | 20 | 11.57 | 11.85 | 90 | 60 | |
| 1200(48") | 46.06 | 56.00 | 59.52 | 44 | 1.62 | 30.55 | 34.48 | 8.27 | 18.54 | 20 | 11.57 | 11.85 | 90 | 60 | |

MATERIALS OF CONSTRUCTION

| No. | Parts | Pcs. | Materials | No. | Parts | Pcs. | Materials |
|-----|-----------------|------|---------------------------|-----|-----------------|------|-----------|
| 1 | Body | 1 | PP, PPG | 14 | Bearing | 1 | STEEL |
| 2 | Seal | 1 | EPDM, VITON, NBR, HYPALON | 15 | Adjustable Bolt | 2 | STEEL |
| 3 | Disc | 1 | UPVC, PP, CPVC, PPG, PVDF | 16 | WORM SHAFT | 1 | STEEL |
| 4 | Disc O'ring(A) | 2 | EPDM, VITON | 17 | Set Pin | 1 | K7 |
| 5 | Disc O'ring(B) | 2 | EPDM, VITON | 18 | Hand Wheel | 1 | CAST IRON |
| 6 | Stem | 1 | SUS-316 | 19 | Tightening Bolt | 4 | SUS304 |
| 7 | Stem O'ring | 2 | EPDM, VITON | 20 | Bearing | 4 | COPPER |
| 8 | Gear Box | 1 | CAST IRON | 21 | SPUR GEAR BODY | 1 | CAST IRON |
| 9 | Gear Box Cap | 1 | CAST IRON | 22 | SPUR GEAR | 1 | STEEL |
| 10 | Side Cap | 1 | CAST IRON | 23 | SPUR GEAR SHAFT | 1 | STEEL |
| 11 | Indicator Plate | 1 | CAST IRON | 24 | SPUR GEAR COVER | 1 | CAST IRON |
| 12 | Gear | 1 | DUCTILE IRON | 25 | BOLT | 6 | STEEL |
| 13 | Oil Seal | 1 | PAPER | | | | |

TVI Large Diameter Butterfly Valve 28" thru 48"

DESIGN SPECIFICATIONS

Thermoplastic Butterfly Valves 28" thru 48" are wafer style to fit between Ansi B16.5 Class 150 flanges. Disc is smooth and contoured for the lowest possible pressure drop (highest Cv). Shaft is 410 SS and of one piece, through shaft design, with square drive through entire length of blade. Valves shall have epoxy coated gear actuators with handwheel. Seat liner shall be full faced with integral, ribbed flanges. No auxiliary gaskets shall be required for installation. Seat liners shall effectively isolate the body & shaft from the flow media. Seat liners shall also thermally insulate the body from the internal operating temperature. Valve Liner and seals are replaceable. Materials of construction shall be : (selected as required for service)

BODY

PPG

DISC

PP, PPG ASTM D-4101 (PPG – Standard Disc)
PVC, ASTM D-1784
CPVC, ASTM D-1784 (CPVC disc Standard in CPVC Valves)
PVDF, ASTM D-3222

SHAFT

ASTMA A-240, TYPE 410 S.S. (Standard) 304 S.S., and 316 S.S.

SEALS/SEAT

EPDM, Ethylene Propylene Diene Monomer
Nitrile (Butadiene) Rubber (BUNA N)
Fluorocarbon, Viton (Dupont Dow Elastomers) ~ Available in the near future
Hypalon – Available in the near future

GEAR BOX

Cast Iron Housing ASTM A-53, EPOXY Coated

OTHER MATERIALS AVAILABLE UPON REQUEST.

Not recommended for compressed air or gas service