



**THERMOPLASTIC VALVES INC.**

**SAFTEY BLOCK TRUE UNION BALL VALVE WITH MOUNTING PADS**

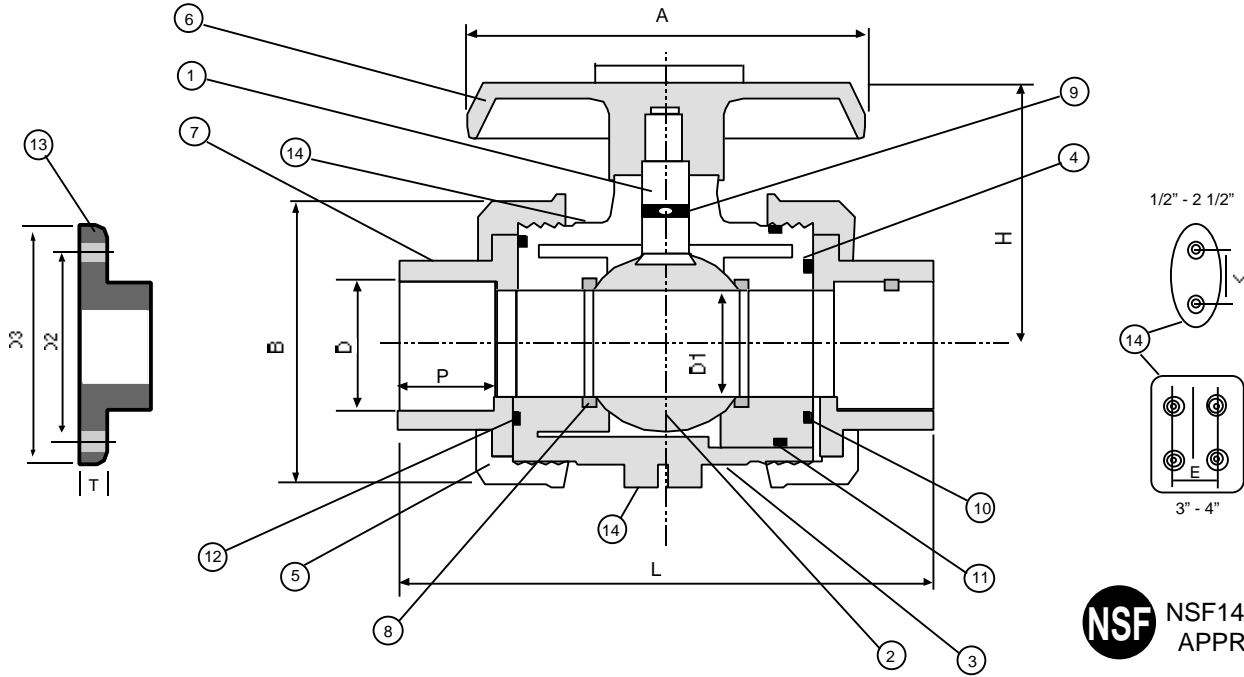
**SIZE: 1/2" - 3"**

**DWN BY  
CKP**

**DATE  
1-96**

**DWG NO.  
103-SB**

**CERTIFIED**  
**CORRECT FOR GENERAL DIMENSIONS** Date \_\_\_\_\_ Per: \_\_\_\_\_



**Materials of Construction**

Item	Parts	Pcs	Materials	Item	Parts	Pcs	Materials
1	Stern	1	PVC, PP, CPVC, PVDF	8	Seat	2	TEFLON®
2	Ball	1	PVC, PP, CPVC, PVDF	9	Stem O-rings	1	EPDM, VITON®
3	Body	1	PVC, PP, CPVC, PVDF	10	Seat Carrier O-ring	2	EPDM, VITON®
4	Seat Carrier	1	PVC, PP, CPVC, PVDF	11	Body End O-ring	1	EPDM, VITON®
5	Union Nut	2	PVC, PP, CPVC, PVDF	12	Solid End O-ring	2	EPDM, VITON®
6	Handle	1	UPVC, PP, PVDF, CPVC	13	Flange	2	PVC, PP, CPVC, PVDF
7	End Connector	2	PVC, PP, CPVC, PVDF	14	Mounting Pad		w/Brass Inserts

VITON® and TEFLON® are trademarks of DuPont Performance Elastomers

**Ansi Dimensions**

Size Inch	D <sub>1</sub>	D <sub>2</sub>	D <sub>3</sub>	d		e	n	P	L			A	T	H	B	Working Pressure (PSI)
				Socket	Thread				Socket	Thread	Flange					
1/2"	.591	2.375	3.500	0.840	NPT 1/2"	0.625	4	0.875	4.420	4.420	6.015	3.240	.590	2.120	2.114	150
3/4"	.799	2.750	3.875	1.050	NPT 3/4"	0.625	4	1.000	4.843	4.843	6.673	3.976	.590	2.530	2.500	150
1"	1.024	3.125	4.250	1.315	NPT 1"	0.625	4	1.125	5.615	5.615	7.765	4.390	.630	2.811	2.874	150
1 1/4"	1.20	3.500	4.625	1.660	NPT 1 1/4"	0.625	4	1.250	7.160	7.160	9.275	4.780	.630	3.340	3.850	150
1 1/2"	1.50	3.875	5.000	1.900	NPT 1 1/2"	0.625	4	1.375	7.160	7.160	9.275	4.780	.630	3.340	3.850	150
2"	1.89	4.750	6.000	2.375	NPT 2"	0.750	4	1.500	7.950	7.950	8.100	5.880	.787	3.850	4.733	150
2 1/2"	2.64	5.500	7.000	2.889	NPT 2 1/2"	0.750	4	1.750	8.860	8.860	11.540	7.480	.787	5.51	5.91	150
3"	3.150	6.000	7.500	3.516	NPT 3"	0.750	4	1.875	10.830	10.830	14.920	9.050	.866	6.54	7.20	150

Testing performed on PVC materials at 73°F water temperature, non-shock.